



IT TECHCOM CO., LTD.
123/765 Moo 11 Navamin Road, Kannayao, Kannayao, Bangkok 10230
Tel: (662) 948-6990 (Auto 12 numbers) ; Fax: (662) 948-6900



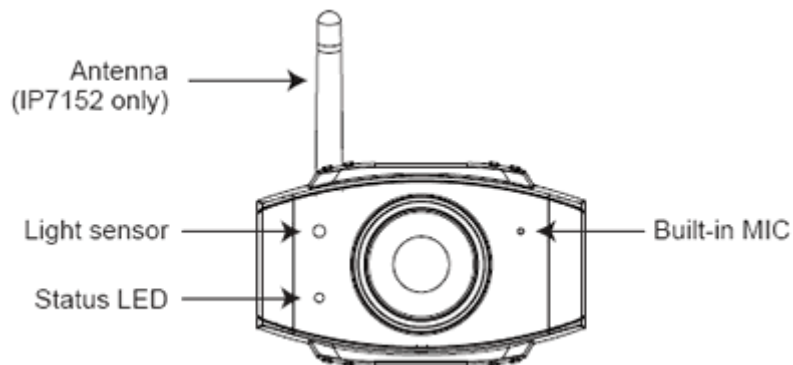
VIVOTEK IP7152, equipped with a progressive scan CCD sensor, delivers superior-quality, crystal-clear video for professional surveillance applications such as monitoring banks, airports, parking lots, and traffic control, etc. It can capture razor-sharp, clear, and high-resolution images of moving objects that traditional interlaced-scan techniques can not achieve. Furthermore, working in combination with the high-performance progressive scan CCD sensor on VIVOTEK IP7152 is a removable IR-cut filter that can deliver high-quality images even in infrared illuminated conditions. With self-developed VIVOTEK VVTK-1000 SoC, it simultaneously delivers dual streams for real-time monitoring. It also comes with many useful functionalities that give users more flexibilities such as 802.11b/g WLAN connection, multi-lingual user interface, vari-focal CS mount lens, two-way audio by SIP protocol (*), and digital I/O for external sensor and alarm. VIVOTEK IP7152 is definitely your best choice of building up a highly reliable network surveillance system.

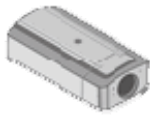
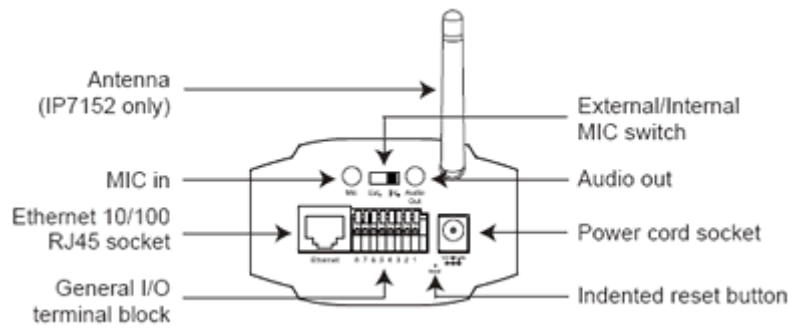
VIVOTEK IP7152 is definitely your best choice of building up a highly reliable network surveillance system.

- Progressive Scan CCD Sensor with VGA Resolution
- 2.9~8.2mm Vari-focal, Auto-iris Lens
- Removable IR-cut Filter for Day & Night Function
- Real-time MPEG-4 and MJPEG Compression (Dual Codec)
- Supports Dual Streams Simultaneously
- Supports 3GPP Mobile Surveillance
- Built-in 802.11b/g WLAN
- Supports Two-way Audio by SIP Protocol (*)
- Digital I/O for External Sensor and Alarm
- Free-bundled 16-CH Recording Software

The features with (*) will be available later through firmware upgrade.

Product Rear View





Quick Guide



Warranty Card